

I-PRO 1 BOWL, WITH ELECTRICAL CONTROL



I-PRO 1 BOWL, WITH ELECTRICAL CONTROL

**Ref: 561476
(IPRO1E)**

SLUSH MACHINE I-PRO 1 E STD 230/50 WHITE - GAS R290

General Features

I-PRO 1 ELECTRONIC is a professional slush machine with n. 1 I-Tank insulated bowl with a capacity of 11 litres, and electronic control.

I-PRO Electronic is a real technologic wonder with performances and design.

This equipment has the I-Tank insulated tank as standard.

The look is modern and eye-catching, thanks to the LED-light system that illuminates the product inside the tank.

The shape of the bowl allows a natural mixing process to ensure an optimum consistency of the product.

I-PRO ELECTRONIC helps to save energy and to reduce CO2 emissions; a stand-by mode is automatically activated when the product reaches the right consistency.

The machine can be programmed daily or weekly.

The equipment dispenses: slushies, milkshakes, cold drinks and frozen cocktails.

I-PRO is an ideal slush machine for bars, amusement parks, multiplex, fast food chains, kiosks, restaurants, water parks and much more.

SPM

I-PRO 1 BOWL, WITH ELECTRONICAL CONTROL

Specifications

- I-PRO is an ideal slush machine for bars, amusement parks, motorway restaurants, fast food chains, kiosks, restaurants, water parks and much more.
- It is possible to customize the graphics on the front, on the lid and on the back (subject to negotiation).
- Optionals available: autofill lid (pre-mix or post-mix) for the automatic filling of the tanks.
- The special shape of the tank, with a capacity of 11 litres of finished product and LED-lighted, allows a natural mixing effect which guarantees a perfect consistency of the product.
- I-PRO ELECTRONIC is equipped with an integrated diagnostic system which signals any problems directly on the display.
- The equipment can dispense: granitas, slushies, milkshakes and cold drinks and frozen cocktails.
- The I-PRO ELECTRONIC is a professional slush machine automatically switches from "production" mode to "stand-by" mode when it reaches the selected product consistency, guaranteeing energy savings and a reduction in CO2 emissions.

Construction

- The patented I-Tank insulated bowl reduces the impact of ambient temperature on the product, improving its cooling efficiency and guaranteeing energy and cost savings.
- Slushie machine equipped with 1x11-litres insulated tank
- The electronic keypad allows you to program the slush machine daily or weekly.

I-PRO 1 BOWL, WITH ELECTRONICAL CONTROL

Electric

Supply voltage:	220-240 V / 1 ph / 50 Hz
Electrical power max.:	0.45 kW
Current consumption:	2.6 Amps
Plug type:	CE-SCHUKO

Key Information:

Number of bowls:	1
Bowl's capacity:	ISO 9001; ISO 14001 lt
Control board:	Electronic
Dimensions, Width:	200 mm
Dimensions, Depth:	580 mm
Dimensions, Height:	870 mm
Net weight:	60 kg
Cooling system:	AIR

Refrigeration Data

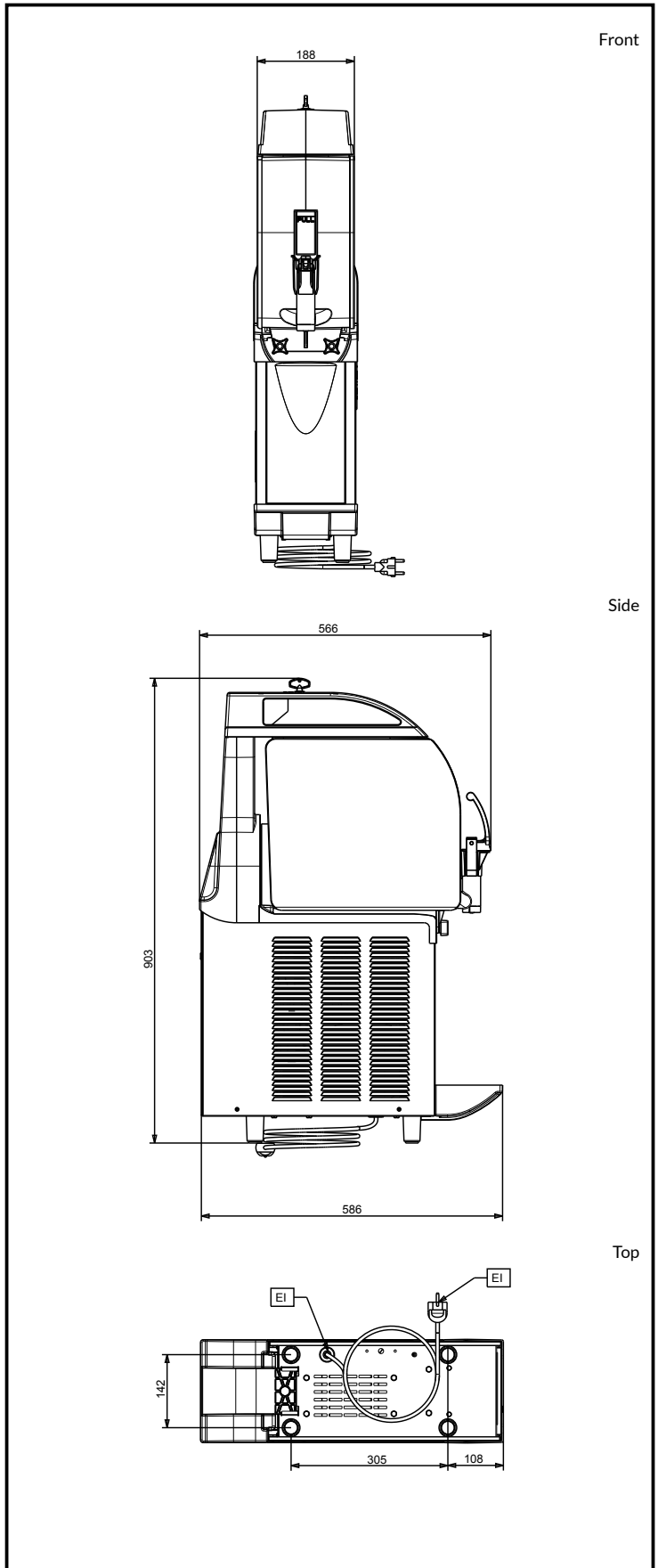
Refrigerant gas:	R290
Sustainability	
Current consumption:	2.6 Amps
Refrigerant type:	R290

Certifications



The company reserves the right to make modifications to the products without prior notice. All information correct at time of printing.

2025.04.11



SPM

www.spm.drink-systems.com
infospm@electroluxprofessional.com